

Product availability : Stock - Normally stocked in distribution facility



Main

| | |
|---------------------------|---------------------------|
| Range of product | Modicon X80 |
| Product or component type | Ethernet RIO drop adaptor |

Complementary

| | |
|-----------------------------|----------------------------------------------------------------------------------------------------------------------------------------------------------------------------------------------------------------------------------------------|
| Bus type | Bus X across the remote backplane |
| Number of port | 3 |
| Integrated connection type | Ethernet/IP device network Ethernet/IP service port |
| Communication port protocol | Ethernet/IP |
| Communication service | Output modules are updated with the data received from remote I/O head adaptor The input data are collected and published to the remote I/O head adaptor Configure IP parameters Diagnostics for remote I/O devices RSTP support |
| Function available | CCOTF (configuration change on the fly) |
| Data recording | 10 ms time stamps |
| Topology | Daisy chain loop |
| Local signalling | Module active (RUN) 1 LED green) 1 LED (red) for module error (ERR) Module status (Mod Status) 1 LED green/red) Network communication status (Net Status) 1 LED green/red) Ethernet link diagnostics (STS) 1 LED green) |
| Product compatibility | multifunction input module BMXERT Ethernet module BMXNOM counter module BMXEHC 0...1024 discrete channel 0...256 analog channel |
| Marking | CE |
| Module format | Standard |

Disclaimer: This documentation is not intended as a substitute for and is not to be used for determining suitability or reliability of these products for specific user applications

| | |
|----------------------------|---------------------------|
| Maximum altitude transport | 9842.52 ft (3000 m) |
| Relative humidity | 95 % without condensation |

Environment

| | |
|---------------------------------------|-----------------------------------------------------------------------------------------------------------------|
| Directives | 2014/35/EU - low voltage directive 2014/30/EU - electromagnetic compatibility 2012/19/EU - WEEE directive |
| Environmental characteristic | Standard environment |
| IP degree of protection | IP20 |
| Ambient air temperature for operation | 32...140 °F (0...60 °C) |
| Ambient air temperature for storage | -40...185 °F (-40...85 °C) |
| Operating altitude | <= 6561.68 ft (2000 m) |

Ordering and shipping details

| | |
|-----------------------|-----------------------|
| Category | 18160 - MODICON M340 |
| Discount Schedule | PC34 |
| GTIN | 00785901151623 |
| Nbr. of units in pkg. | 1 |
| Package weight(Lbs) | 0.59 lb(US) (0.27 kg) |
| Returnability | Yes |
| Country of origin | FR |

Packing Units

| | |
|------------------------|-----------------------|
| Unit Type of Package 1 | PCE |
| Package 1 Height | 2.17 in (5.5 cm) |
| Package 1 width | 4.33 in (11 cm) |
| Package 1 Length | 4.92 in (12.5 cm) |
| Package 2 Weight | 9.59 lb(US) (4.35 kg) |

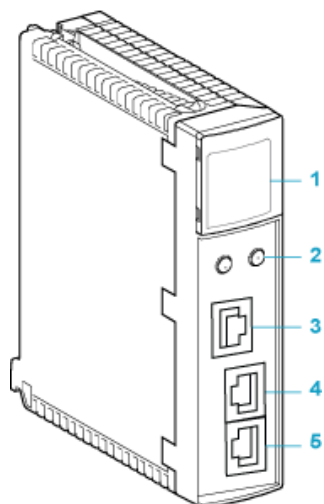
Offer Sustainability

| | |
|----------------------------|---------------------------------------------------------------------------------------------------------------------------------------------------------------------------------------------------------------------------------------------------------------------------------------------|
| Sustainable offer status | Green Premium product |
| California proposition 65 | WARNING: This product can expose you to chemicals including: Lead and lead compounds, which is known to the State of California to cause cancer and birth defects or other reproductive harm. For more information go to www.P65Warnings.ca.gov |
| REACH Regulation | REACH Declaration |
| REACH free of SVHC | Yes |
| EU RoHS Directive | Pro-active compliance (Product out of EU RoHS legal scope) EU RoHS Declaration |
| Mercury free | Yes |
| RoHS exemption information | Yes |
| China RoHS Regulation | China RoHS declaration |
| Environmental Disclosure | Product Environmental Profile |
| Circularity Profile | End of Life Information |
| WEEE | The product must be disposed on European Union markets following specific waste collection and never end up in rubbish bins. |

Contractual warranty

| | |
|----------|-----------|
| Warranty | 18 months |
|----------|-----------|

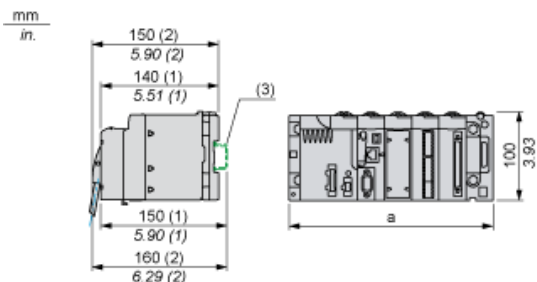
Presentation



- 1 : LED display
- 2 : rotary switches
- 3 : SERVICE port (ETH 1)
- 4 : DEVICE NETWORK port (ETH 2)
- 5 : DEVICE NETWORK port (ETH 3)

Modules Mounted on Racks

Dimensions



- (1) With removable terminal block (cage, screw or spring).
- (2) With FCN connector.
- (3) On AM1 ED rail: 35 mm wide, 15 mm deep. Only possible with BMXXBP0400/0400H/0600/0600H/0800/0800H rack.

| Rack references | a in mm | a in in. |
|----------------------------|---------|----------|
| BMXXBP0400 and BMXXBP0400H | 242.4 | 09.54 |
| BMXXBP0600 and BMXXBP0600H | 307.6 | 12.11 |
| BMXXBP0800 and BMXXBP0800H | 372.8 | 14.68 |
| BMXXBP1200 and BMXXBP1200H | 503.2 | 19.81 |